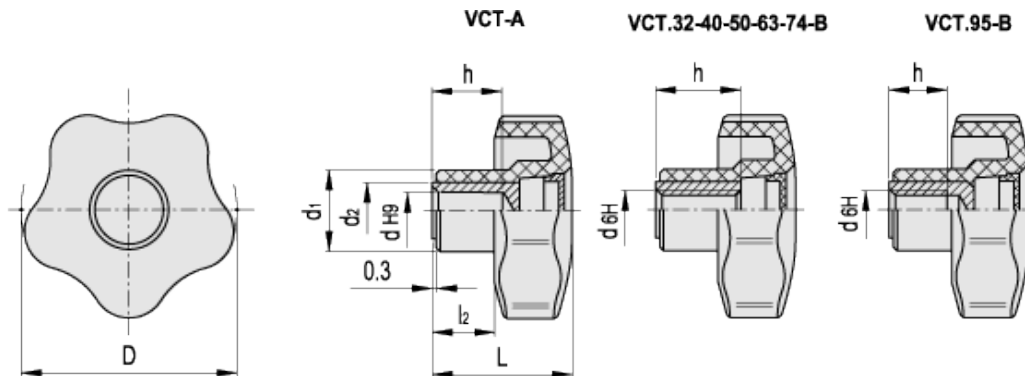


# VCT.

Lobe knobs  
with coloured centre cap



ELESA Original design



## technical informations

### Material

High-resilience polypropylene based (PP) technopolymer. Resistant to solvents, oils, greases and other chemical agents.

### Colour

Black, matte finish.

### Coloured centre cap (only for VCT.32-40-50-63-74-95)

Technopolymer, matte finish.

To order, add the index of the colour (C9, ..., C6) to the code and the description.

On request and for sufficient quantities, it can be supplied in other colours or with customised graphic symbols, marks or writings.

### Standard executions

- VCT-A: black-oxide steel boss, plain blind hole.
- VCT-B: brass boss, threaded blind hole (VCT.25 - 95) or threaded pass-through hole (VCT.32 - 40 - 50 - 63 - 74).

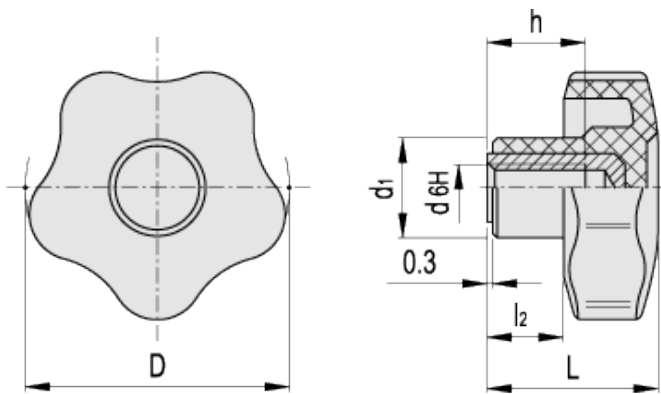


\* Complete with colour index, example: 69843-C2 VCT.32 B-M5-C2.



Standard Elements		Main dimensions					Mounting hole			C #	Weight
Code	Description	D	L	d <sub>1</sub>	d <sub>2</sub>	l <sub>2</sub>	d <sub>H9</sub>	d <sub>6H</sub>	h	[Nm]	g
69843-*	VCT.32 B-M5-*	32	23	15	-	10	-	M5	12	10	11
69844-*	VCT.32 B-M6-*	32	23	15	-	10	-	M6	12	10	10
69845-*	VCT.32 B-M8-*	32	23	15	-	10	-	M8	12	10	9
69892-*	VCT.40 A-8-*	40	27	17	12	12	8	-	14	-	36
69893-*	VCT.40 B-M6-*	40	27	17	-	12	-	M6	18	16	26
69894-*	VCT.40 B-M8-*	40	27	17	-	12	-	M8	18	18	24
69895-*	VCT.40 B-M10-*	40	27	17	-	12	-	M10	17	18	23
69951-*	VCT.50 A-8-*	50	32	19	12	14	8	-	14	-	37
69952-*	VCT.50 A-10-*	50	32	19	15	14	10	-	16	-	34
69953-*	VCT.50 B-M8-*	50	32	19	-	14	-	M8	20	25	38
69954-*	VCT.50 B-M10-*	50	32	19	-	14	-	M10	20	27	34
69955-*	VCT.50 B-M12-*	50	32	19	-	14	-	M12	20	27	30
70001-*	VCT.63 A-8-*	63	37	22	15	16	8	-	20	-	52
70002-*	VCT.63 A-10-*	63	37	22	16	16	10	-	21	-	49
70012-*	VCT.63 B-M8-*	63	37	22	-	16	-	M8	26	48	45
70013-*	VCT.63 B-M10-*	63	37	22	-	16	-	M10	26	50	42
70014-*	VCT.63 B-M12-*	63	37	22	-	16	-	M12	26	50	40
70051-*	VCT.74 A-8-*	74	43.5	26	15	22	8	-	20	-	65
70062-*	VCT.74 B-M12-*	74	43.5	26	-	22	-	M12	26	60	57
70063-*	VCT.74 B-M14-*	74	43.5	26	-	22	-	M14	26	65	53
70064-*	VCT.74 B-M16-*	74	43.5	26	-	22	-	M16	31	69	55
70097-*	VCT.95 B-M16-*	95	46	32	-	21	-	M16	22	100	109

# "Max limit Tightening torque" means the max torque value at which the metal insert, in normal conditions of use, is perfectly and strongly anchored to the plastic material.



Standard Elements		Main dimensions					Mounting hole			C #	Weight
Code	Description	D	L	d <sub>1</sub>	d <sub>2</sub>	l <sub>2</sub>	d <sub>H9</sub>	d <sub>6H</sub>	h	[Nm]	g
69811-C9	VCT.25 B-M4-C9	25	19	13	-	8	-	M4	10	6	7
69812-C9	VCT.25 B-M5-C9	25	19	13	-	8	-	M5	10	7	6
69813-C9	VCT.25 B-M6-C9	25	19	13	-	8	-	M6	10	7	5

# "Max limit Tightening torque" means the max torque value at which the metal insert, in normal conditions of use, is perfectly and strongly anchored to the plastic material.



ELESA and GANTER models all rights reserved in accordance with the law. Always mention the source when reproducing our drawings.

**STANDARD MACHINE ELEMENTS WORLDWIDE**